

使用快幹膠 Using CA glue

不要使用快幹膠粘接 No need to cement

使用粘紙用的普通膠水，暫時固定零件，之後可用水洗掉。  
Using adhesive for paper to fix the parts temporary

金屬部件 Metal Parts

1		× 4
2		× 4
3		× 150
4		× 1
5	0.5mm 錫線 0.5mm solder line	× 1
6	1.0mm 錫線 1.0mm solder line	× 1

蝕刻片A×1 Photo-etched plate A×1

蝕刻片B1×1 Photo-etched plate B1×1

蝕刻片B2×1 Photo-etched plate B2×1

蝕刻片C×1 Photo-etched plate C×1

蝕刻片D×1 Photo-etched plate D×1

1 小齒輪和軸 Small Gear and Axle

軸 Axle

小齒輪 Small Gear

2 大齒輪 Large Gear

3 組合工具 Assembly Tool

使用鐵鉗壓緊  
Squeeze the ends of the solder line by pliers

4 制作鏈條 Chain building

從b開始把3放進工具，注意不要放進a。  
Place the part 3 onto the assembly tool, starting from position b (not a) to position v

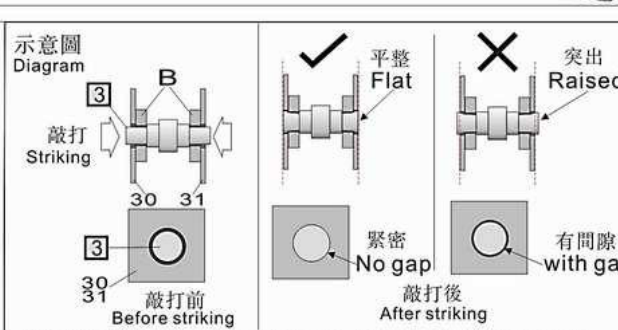
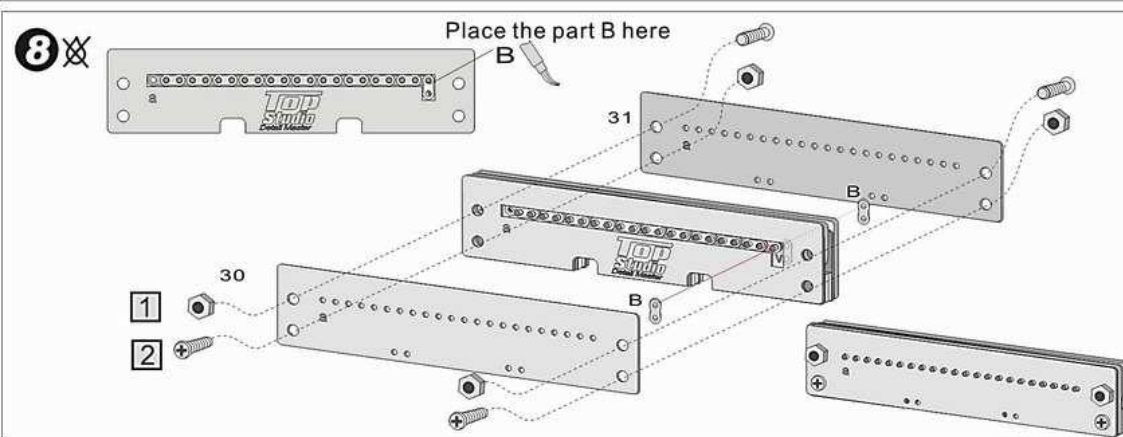
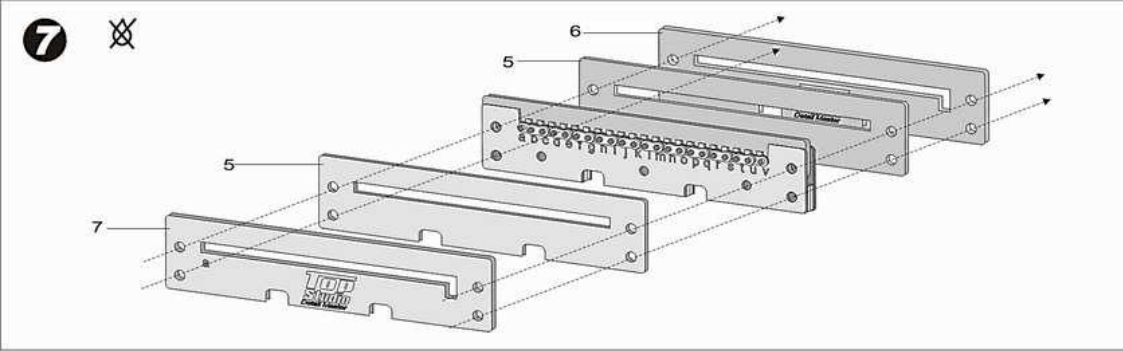
5 制作鏈條 Chain building

注意A、B的孔有差別，不要混淆使用。  
Attention: Don't mix up with A and B, the size of the middle holes are different

對側相同  
Same as opposite

6 制作鏈條 Chain building

對側相同  
Same as opposite



敲打後拆開30, 31, 用鑷子檢查B是否牢固, 如有鬆散按下圖處理。  
Remove 30, 31 after striking then check the chain is tight enough.

鬆脫現象 If chain is Loose	解決辦法 Solution
大部分鬆脫 Most parts are loose	重複步驟 8 9 repeat the step 8 9
個別鬆脫 Some parts are loose	拆開30或31輕輕敲打[3] remove 30 or 31 and tap 3

