

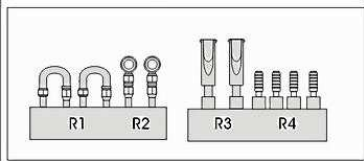
# Top Studio Detail Master

## 1/12 GSX-R750

### Detail-up set

FOR FUJIMI GSX-R750(141268) TD:23066

#### 树脂配件 Resin parts



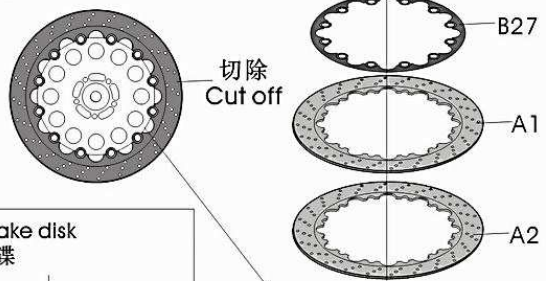
黑色膠貼 Black band × 1

蚀刻片A × 1 Photo-etched plate A × 1  
 蚀刻片B × 1 Photo-etched plate B × 1  
 蚀刻片C × 1 Photo-etched plate C × 1

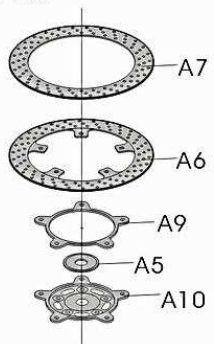
#### 金属部件 Metal Parts

	M1 × 2		M5 × 15
	M2 × 2		M6 × 1
	M3 × 2		M7 × 1
	M4 × 2		M8 × 2

#### Front brake disk 前刹车碟



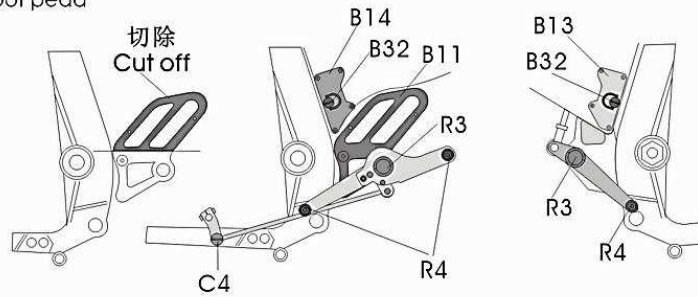
#### Rear brake disk 后刹车碟



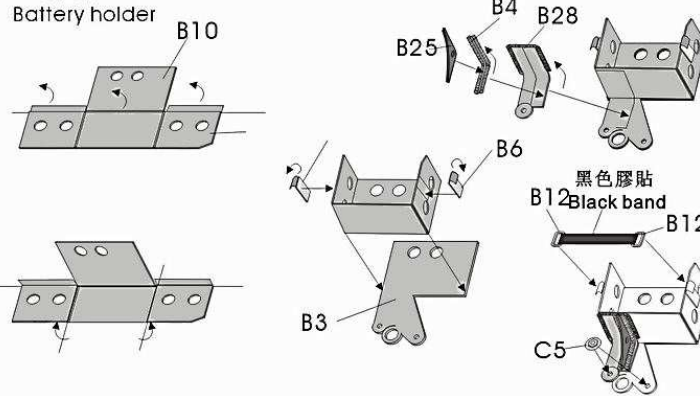
#### 配线 wire:

編號 number	規格 specification	數量 Quantity
1	金属编织管(细) metallic braided line (Thin)	× 1
2	金属编织管(粗) metallic braided line (Thick)	× 1
3	1.0mm 锡线 1.0mm solder line	× 1
4	0.6mm 黑色电线 0.6mm black wire	× 1
5		× 1
6		× 1
7		× 1

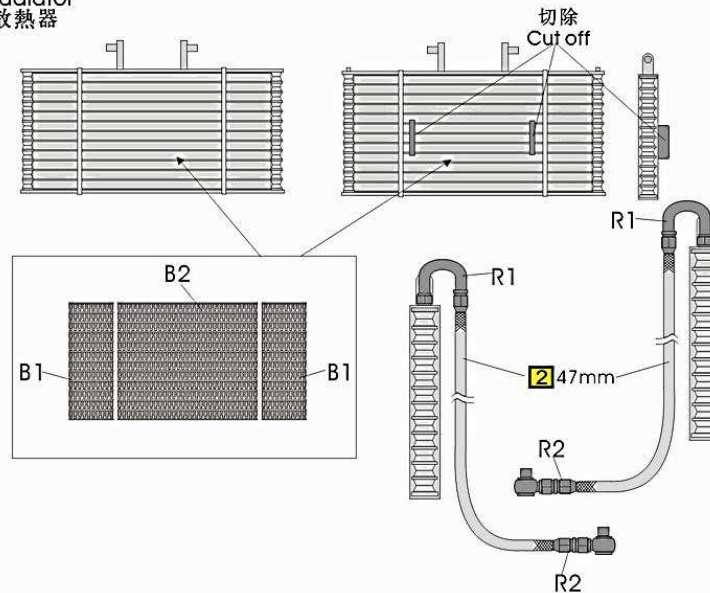
#### 脚踏 Foot peda



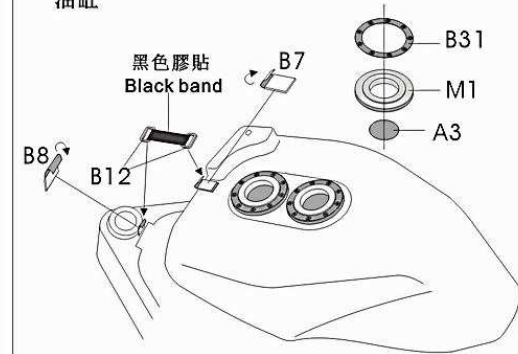
#### 电池架 Battery holder



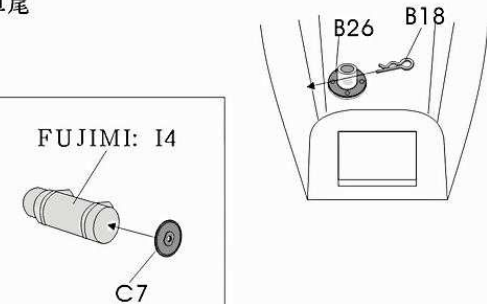
#### Radiator 散热器



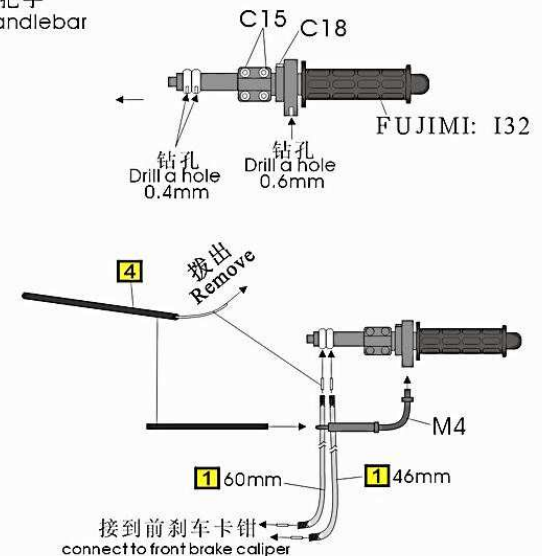
#### Fuel tank 油缸

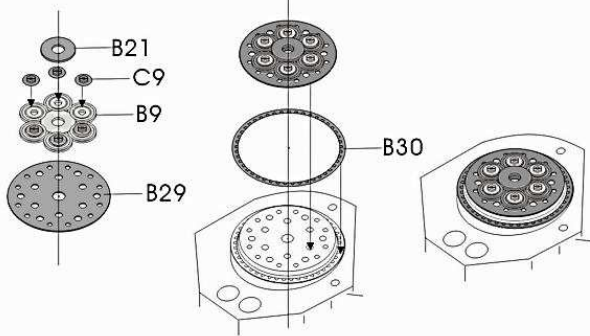
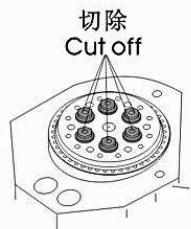
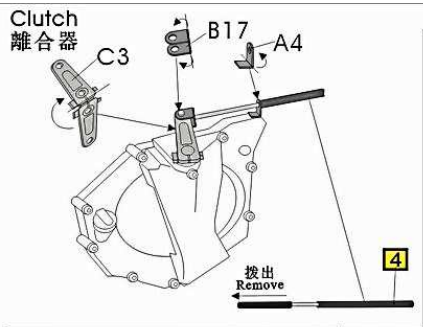


#### Tail cowl 车尾

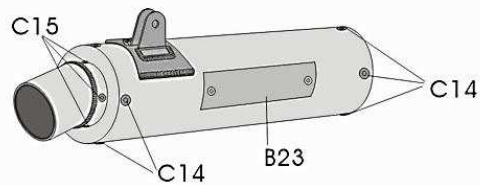
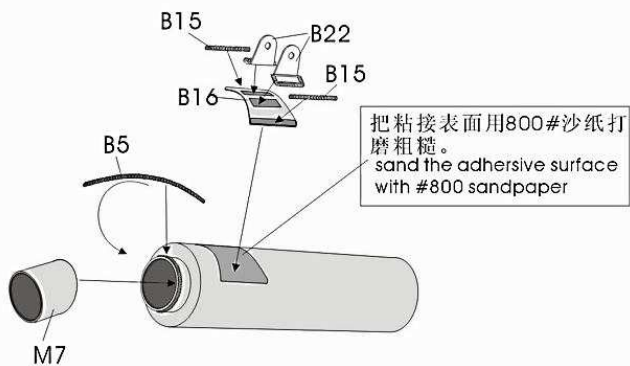


#### 把手 Handlebar

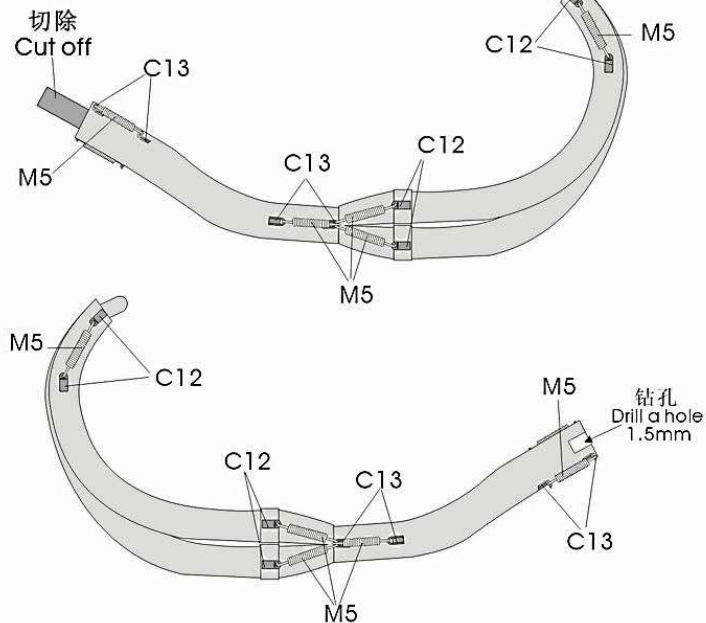




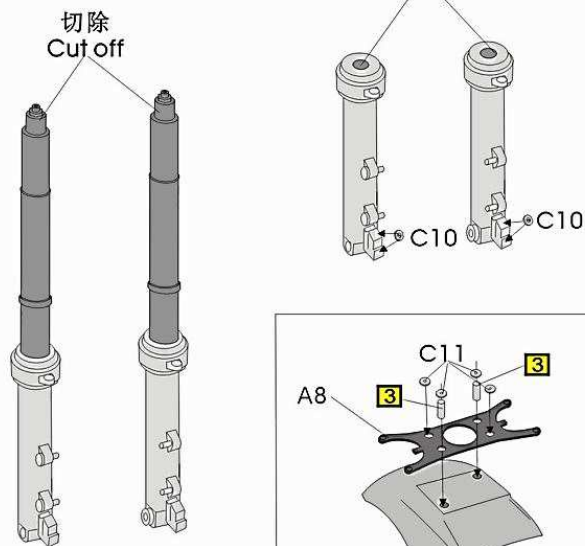
Exhaust pipe  
排氣管



Exhaust pipe  
排氣管



Front fork  
前叉



Front fork  
前叉

